



# *Center for Army Analysis*

## *IT Modernization*

Hamid Ford  
Chief Information Officer  
Information Management Division

# Consolidation Approach Information Access and Transfer

U.S. ARMY

Center for  
Army  
Analysis



# SecureOffice® Trusted Thin Client™ User Interface

U.S. ARMY

Center for  
Army  
Analysis

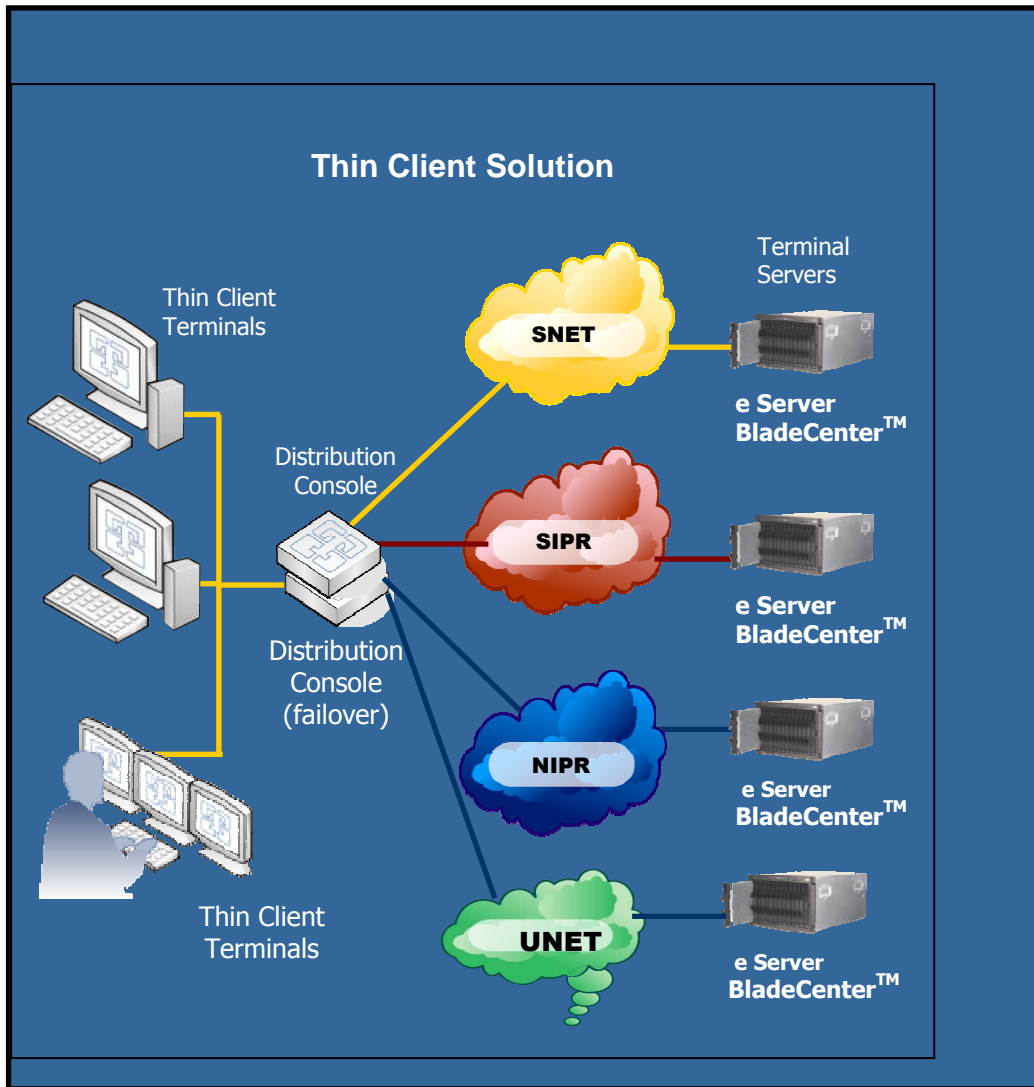


UNCLASSIFIED -- Classification labels for example purposes only

# Trusted Thin Client Pushing Trust to the Edge

U.S. ARMY

Center for  
Army  
Analysis



## What is a Trusted Thin Client ...

- Inexpensive hardware-software appliance
  - Access to Microsoft Desktop and COTS/GOTS Applications via Citrix or MS RDP
  - Supports Virtual Desktop Infrastructure
- Distribution Console = Security Access Point
- Controlled Access Solution; no Data is Allowed to Transfer
- Designed to Meet DCID 6/3 PL4 and SABI Requirements, Translates well to Coalition and NATO Environments

## Where did it come from ...

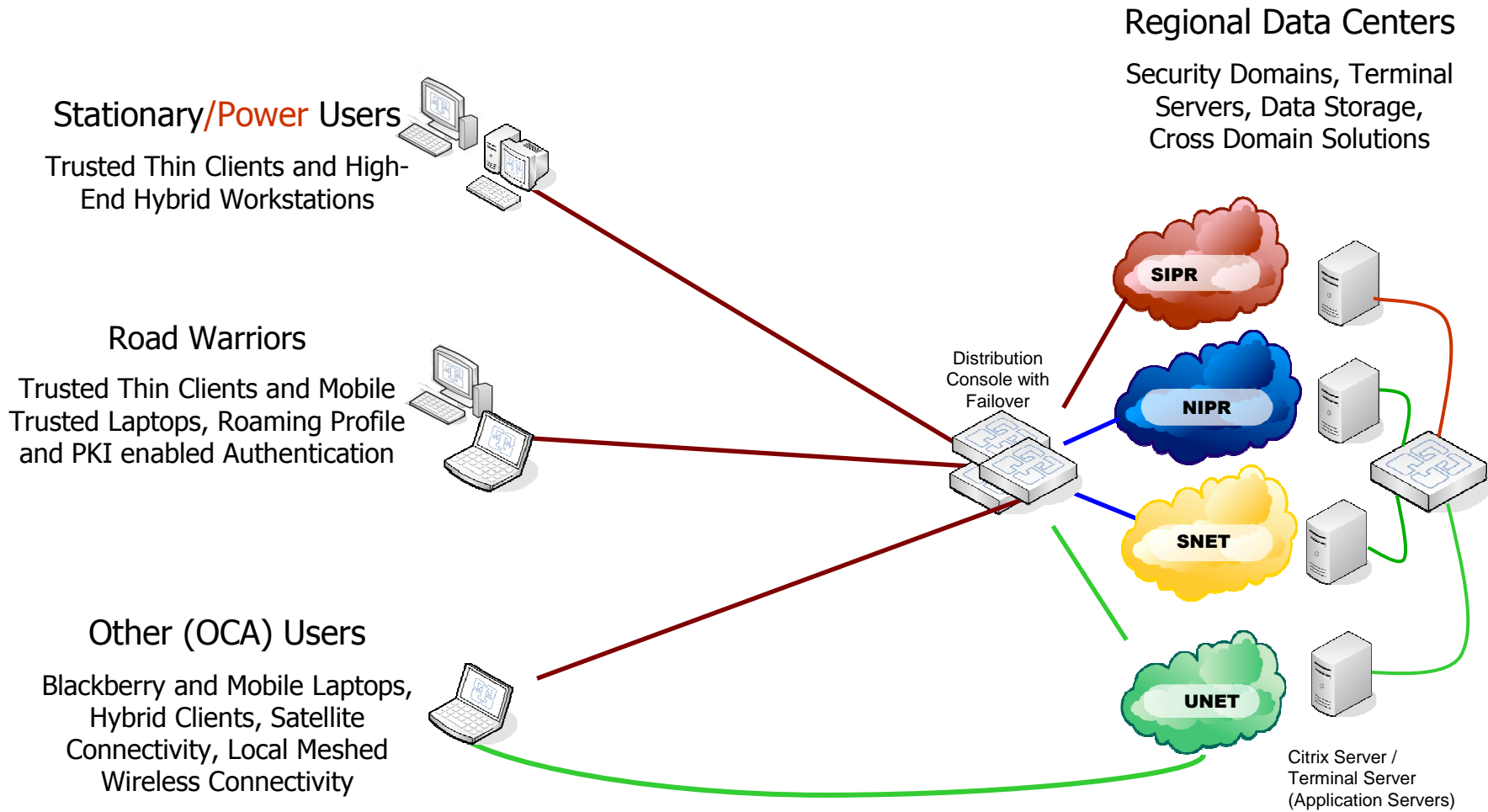
- Evolved from Trusted Workstation – Thin Client Creations from the DoD Intel and NSA
- Works with Open Source Developers (NSA, IBM, Tresys, RedHat)

# Trusted Thin-Client

## Options for Different users

U.S. ARMY

Center for  
Army  
Analysis



**U.S. Coast Guard Example Deployment**  
**Trusted Thin Client**  
**SABI CDS-GIAP Underway**

**Center for**  
**Army**  
**Analysis**

**U.S. ARMY**



United States Coast Guard

Semper Paratus



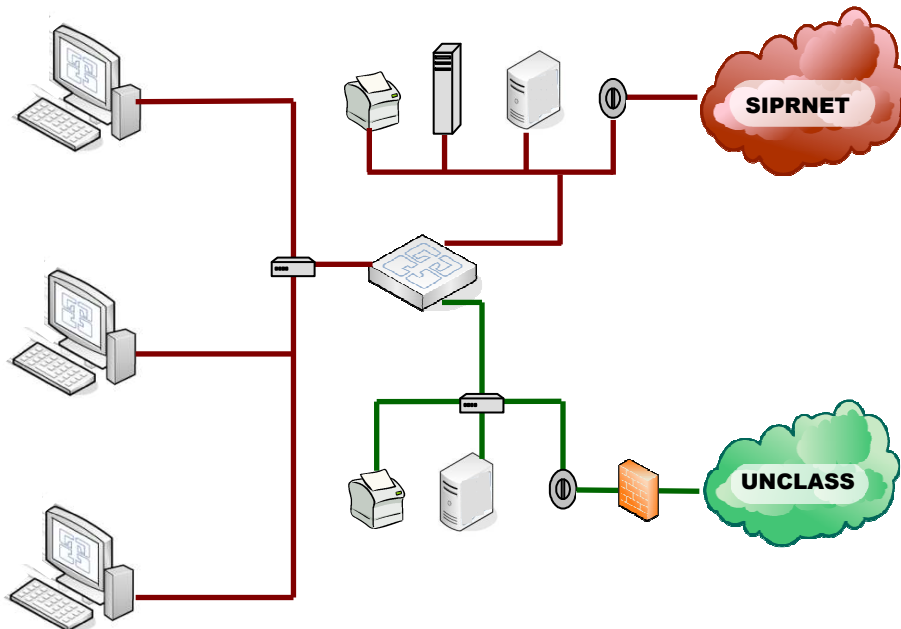
*Multi-Domain Access  
in a Thin Client Environment*

**Common Criteria Target Operating Environment includes:**

- Red Hat Enterprise Linux v5
- IBM X-series Hardware

**Benefits:**

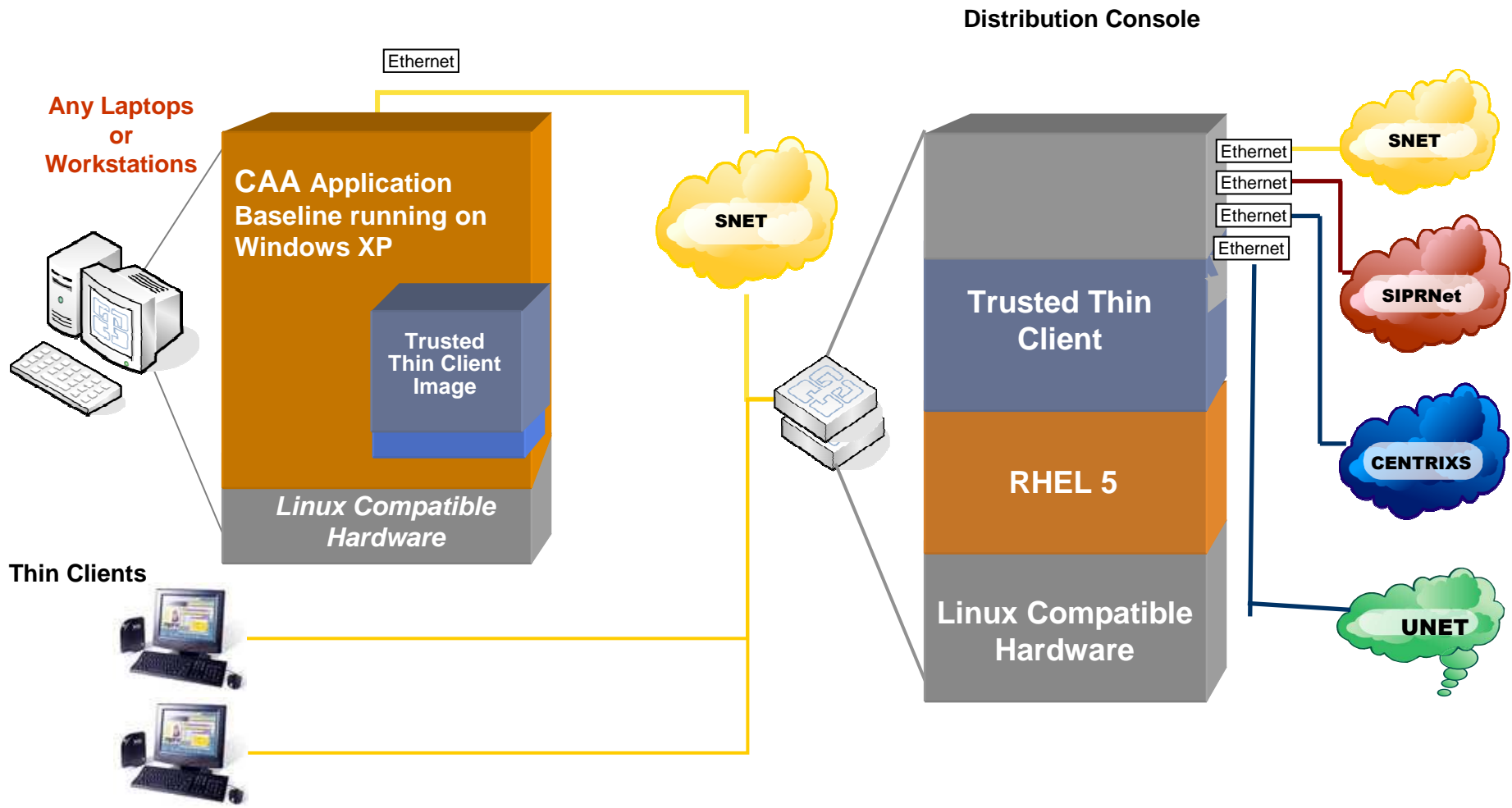
- Access to Networks Needed to Support Mission Objectives
- Low Cost Infrastructure
- Secret and Below Interoperability (SABI) Approval



# Trusted Thin Client Hybrid Under the Hood for Power and Mobile Users

U.S. ARMY

Center for  
Army  
Analysis



# What's Next?

- Proceed with Thin Client Pilot
- Brief full IT Modernization Aug 6th