

Thursday 1100-1200, Services Procurements: Know the issues

IT Service Procurements - The Inside Track

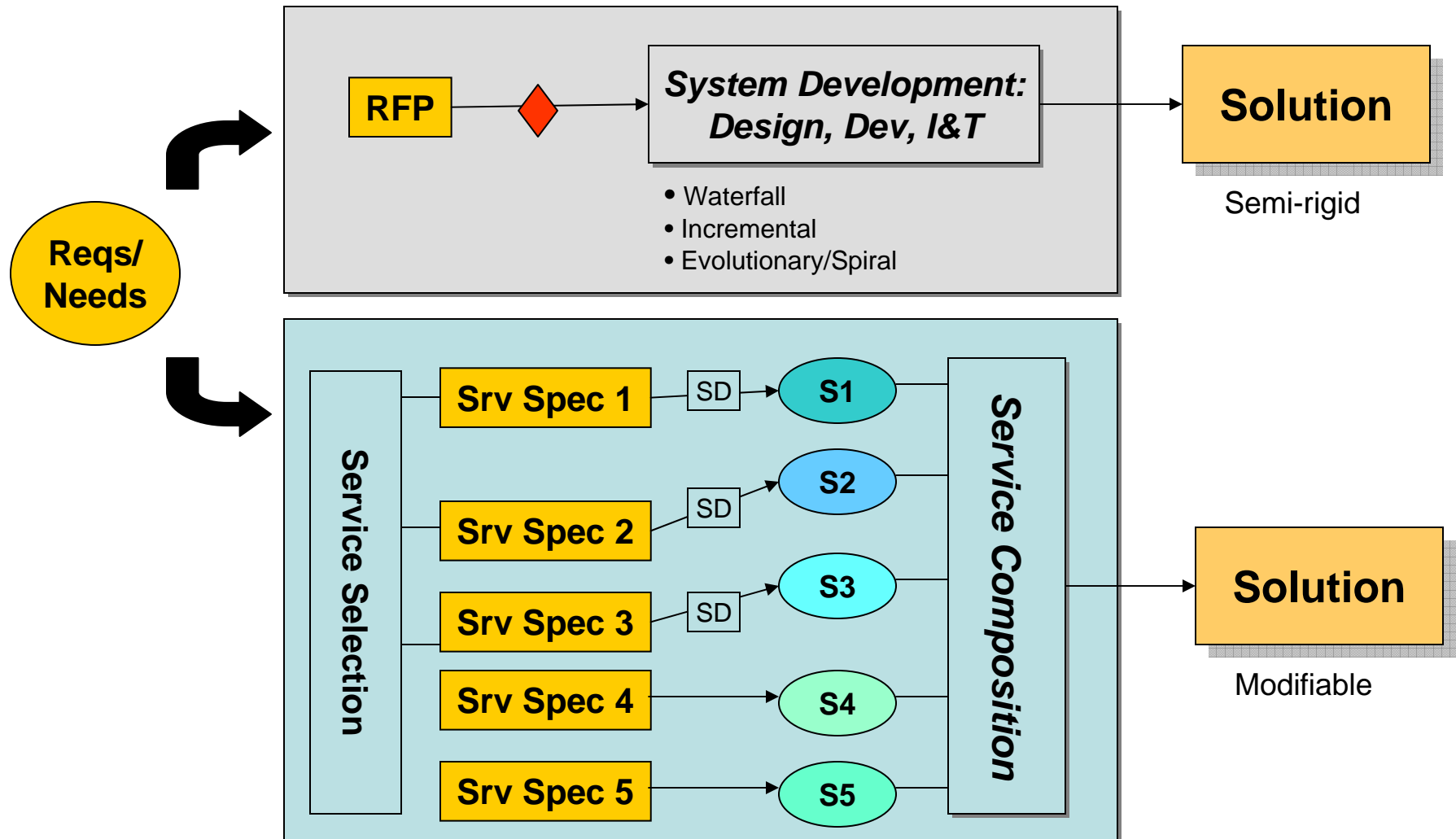
System Development
vs.
Services Composition

Marc R. Halley
Notes for Panel Discussion

Finding

- ***System Development*** is different than ***Services Composition***
- **System Development =**
 - Needs, RFP, contract, system development, I&T
 - Develop a system to create a solution
 - Not intended for flexibility, mostly for needs satisfaction
- **Services Composition =**
 - Needs, service selection, service spec, service development,
 - Compose Services into a solution
 - Intended for flexibility and to meet changing needs

Two Methods: System Development and Service Composition



Possible Issues

- **Contracting,**
 - *many concurrent contracts*
- **Incentives,**
 - *for building compatible pieces*
- **Funding,**
 - *not all from same source*
- **Integration,**
 - *composing into solutions*
- **Development:**
 - *RFPs, proposals vs. pre-qualified contractors*
- **Governance:**
 - *Standards and adherence to architecture*
- **Interdependence,**
 - *rather than independence*